



plug set

NEW RADIAL MOTORIZED EC/AC/DC PLUG SET SERIES

**ADVANCED DESIGN TECHNOLOGY
TO SIMPLIFY APPLICATIONS**



Introduction

Plug Set is a new “ready to use”, plug fan from S&P.

This new range of plug fan has been developed by S&P engineers using advanced aerodynamic design software and their extensive experience in motor design.

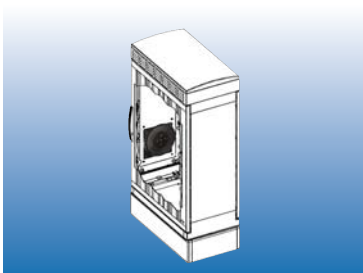
Plug Set has high efficiency with lowest sound levels for its category. The patented design achieves better performance than the Bmax on its own, more airflow, more pressure, better efficiency and lower sound.

Plug Set is supplied ready to install – just four screws, connect supply cable and it is ready to run in your application.

Main features

- Best performance in the market for:

✓ Enclosures



✓ HRU



✓ Compressors





Models description



PS 1 / 2 - 3 4 5

1 Motor type

- B: Single Phase
- T: Three Phase

2 Number of motor poles (nominal speed)

- 1: DC motor
- 2: 2 Poles motor
- 3: EC motor

3 Impeller diameter / Blade height

4 Electrical Supply

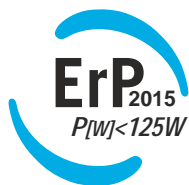
5 Construction

- IG: with Inlet Grill
- Nothing: without Inlet Grill

PSB/2-190/060 230VAC

IP44

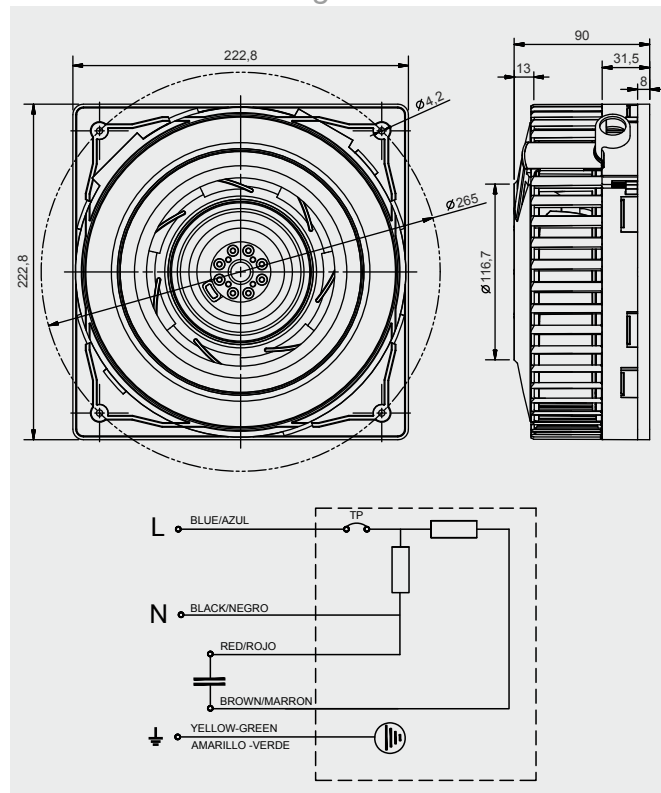
plug set



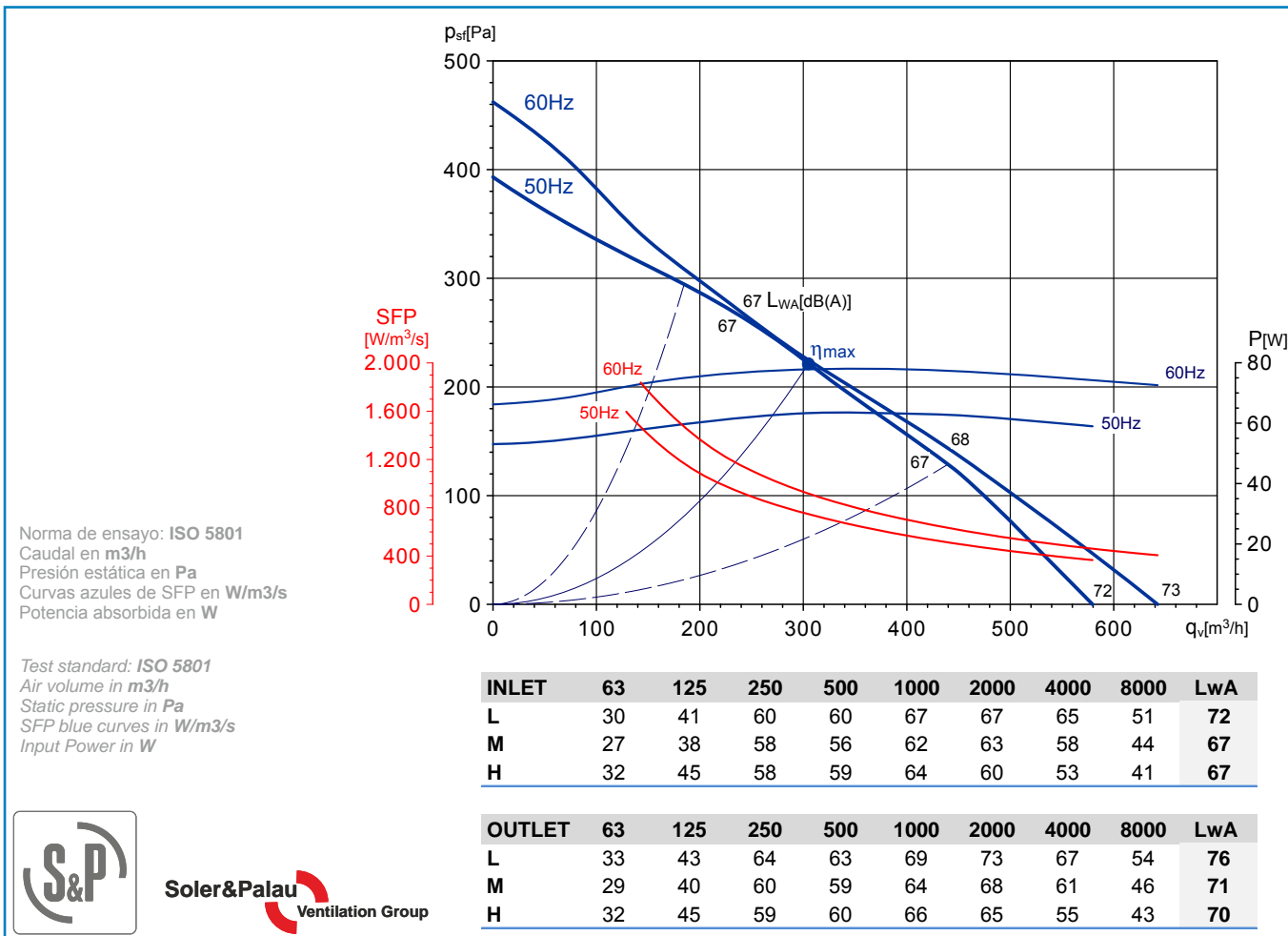
Dimensiones y conexiones
Dimensions and wiring

Características Characteristics

Tensión Voltage	1 ~ 230V 50/60Hz
Tipo motor Motor type	1V 1S Ip44 cl.B
Velocidad Speed	2 polos 2 poles
Potencia absorbida máxima Maximum absorbed power	64/78 W
Intensidad absorbida máxima Maximum absorbed current	0,3/0,3 A
Condensador Capacitor	2 µF/440V
Temperatura del aire Air temperature	-40°C < T < +70°C
Peso Weight	1,6 kg
Código ventilador Fan code number	5505000300 5505000200 (IG)
Código motor Motor code number	



Curvas características / Performance curves (27/03/2014)



Soler&Palau
Ventilation Group

PSB/2-225/088M 230VAC

IP44

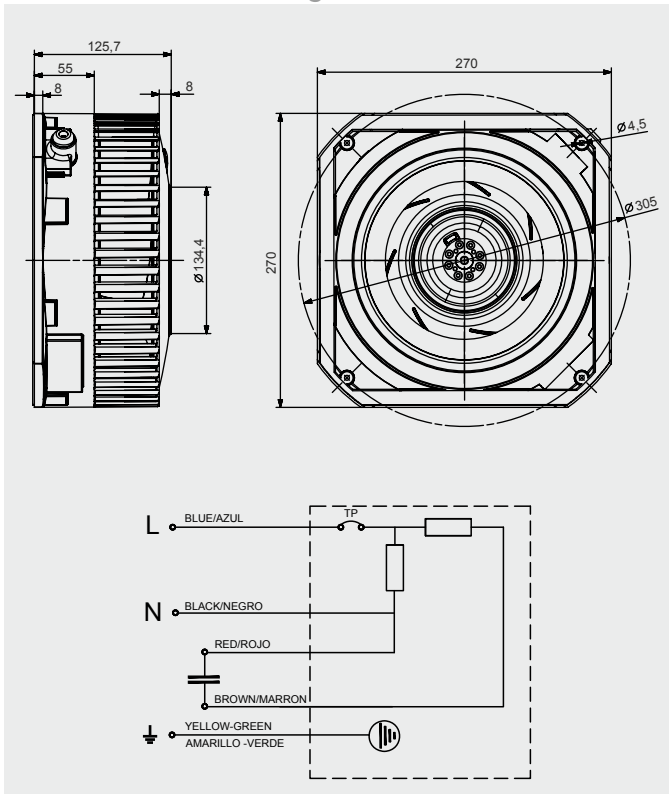
plug set



Dimensiones y conexiones
Dimensions and wiring

Características Characteristics

Tensión <i>Voltage</i>	1 ~ 230V 50/60Hz
Tipo motor <i>Motor type</i>	1V IP44 cl.F 1S
Velocidad <i>Speed</i>	2 polos 2 poles
Potencia absorbida máxima <i>Maximum absorbed power</i>	152/214 W
Intensidad absorbida máxima <i>Maximum absorbed current</i>	0,6/0,9 A
Condensador <i>Capacitor</i>	4 µF/440V
Temperatura del aire <i>Air temperature</i>	-40°C < T < +60°C
Peso <i>Weight</i>	3,4 kg
Código ventilador <i>Fan code number</i>	5505000900 5505001300 (IG)
Código motor <i>Motor code number</i>	



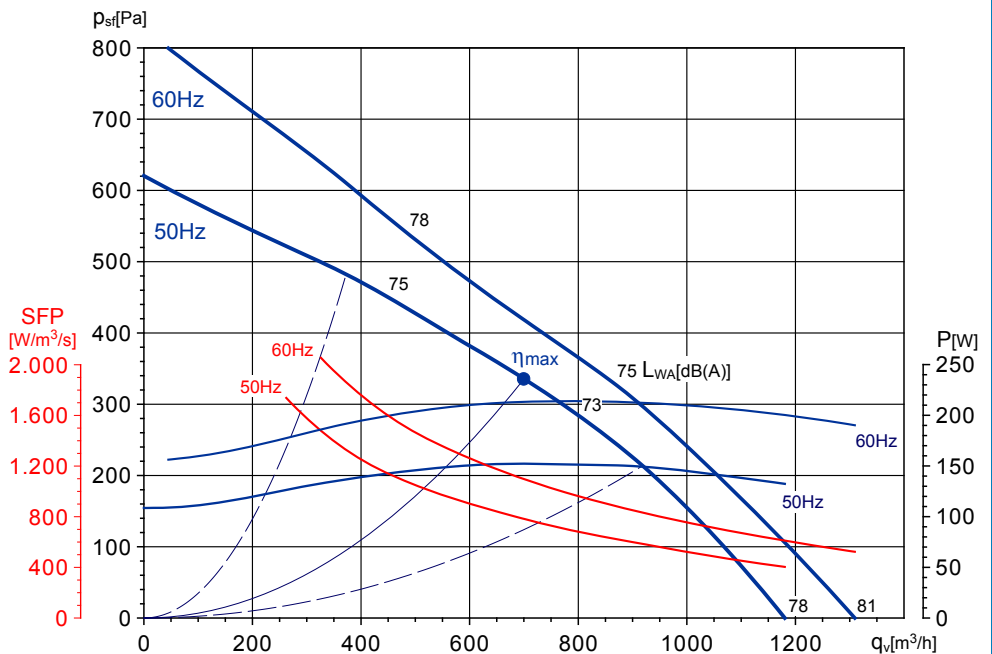
Curvas características / Performance curves (15/07/2015)

	Fan data	ErP 2015
Installation category	A	
Efficiency category	Static	
VSD must be installed with the fan	No	
Specific ratio	1	
Overall efficiency [%]	42,9	42,9
Efficiency grade	62	62,0
Absorbed power [kW]	0,152	
Air volume [m ³ /h]	700	
Total pressure [Pa]	336	
Speed [RPM]	2620	

* Data at optimum efficiency working point

Norma de ensayo: ISO 5801
Caudal en m³/h
Presión estática en Pa
Curvas azules de SFP en W/m³/s
Potencia absorbida en W

Test standard: ISO 5801
Air volume in m³/h
Static pressure in Pa
SFP blue curves in W/m³/s
Input Power in W



INLET 50Hz	63	125	250	500	1000	2000	4000	8000	LwA
L	35	46	61	69	74	73	71	51	78
M	35	44	58	66	70	66	62	53	73
H	44	53	66	70	72	65	59	52	75

INLET 60Hz	63	125	250	500	1000	2000	4000	8000	LwA
L	37	48	62	71	76	75	74	69	81
M	34	45	58	67	72	68	64	56	75
H	46	54	69	72	75	69	62	56	78



Soler & Palau
Ventilation Group

PSB/2-250/084 230VAC

IP44

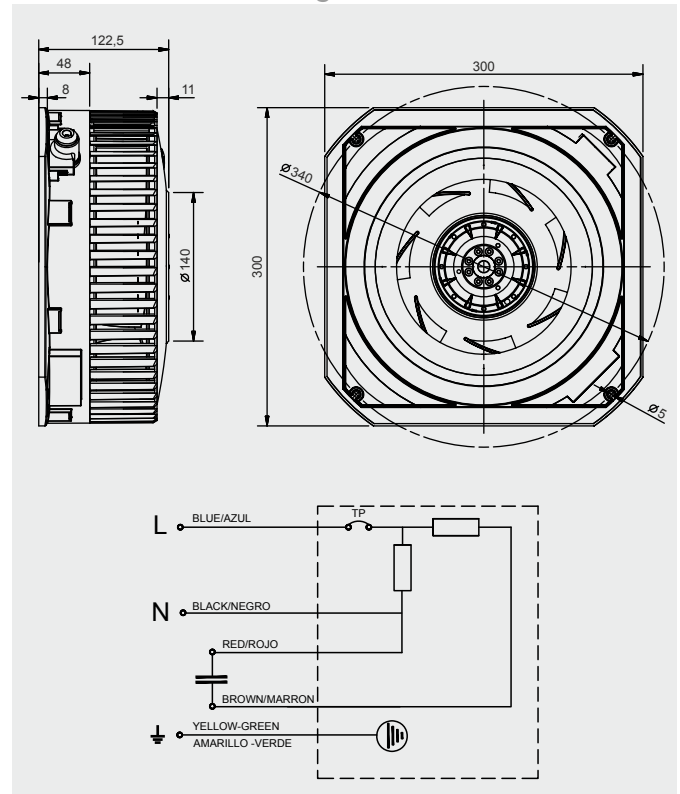
plug set



Características Characteristics

Tensión Voltage	1 ~ 230V 50/60Hz
Tipo motor Motor type	1V 1S IP44 cl.F
Velocidad Speed	2 polos 2 poles
Potencia absorbida máxima Maximum absorbed power	226/325 W
Intensidad absorbida máxima Maximum absorbed current	1,0/1,4 A
Condensador Capacitor	5 µF/440V
Temperatura del aire Air temperature	-40°C < T < +60°C
Peso Weight	3,9 kg
Código ventilador Fan code number	5505001600 5505001800 (IG)
Código motor Motor code number	

Dimensiones y conexiones Dimensions and wiring



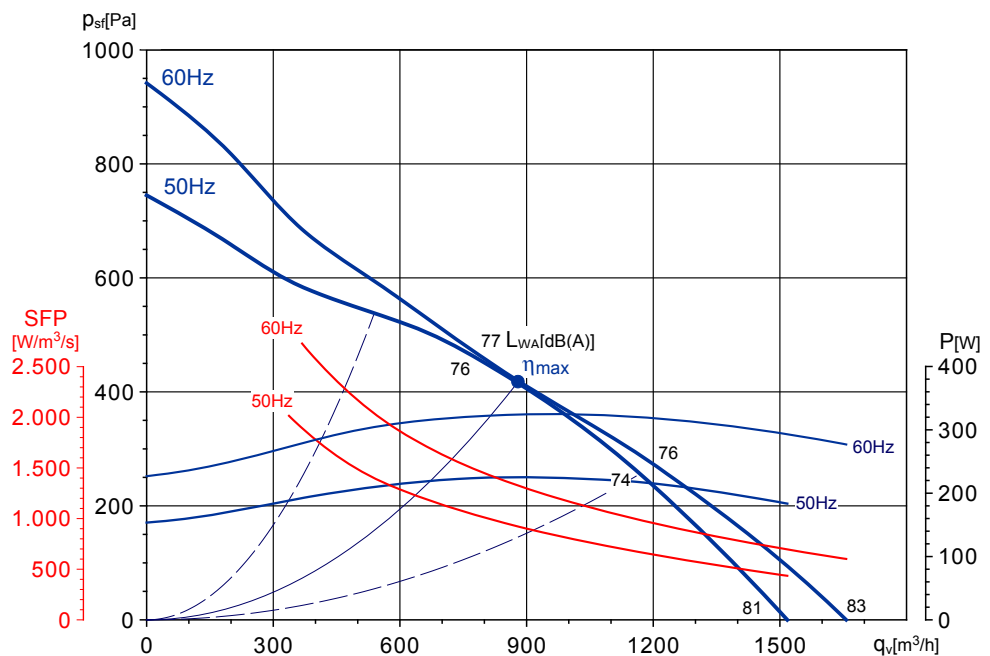
Curvas características / Performance curves (25/01/2016)

	Fan data	ErP 2015
Installation category	A	
Efficiency category	Static	
VSD must be installed with the fan	No	
Specific ratio	1	
Overall efficiency [%]	45	44,7
Efficiency grade	62,3	62,0
Absorbed power [kW]	0,226	
Air volume [m ³ /h]	878	
Total pressure [Pa]	416	
Speed [RPM]	2567	

* Data at optimum efficiency working point

Norma de ensayo: ISO 5801
Caudal en m³/h
Presión estática en Pa
Curvas azules de SFP en W/m³/s
Potencia absorbida en W

Test standard: ISO 5801
Air volume in m³/h
Static pressure in Pa
SFP blue curves in W/m³/s
Input Power in W



INLET 50Hz	63	125	250	500	1000	2000	4000	8000	LwA
L	38	49	70	71	75	72	78	63	81
M	34	46	66	68	69	68	64	55	74
H	42	53	66	70	72	67	60	53	76

INLET 60Hz	63	125	250	500	1000	2000	4000	8000	LwA
L	39	50	71	73	77	74	79	67	83
M	35	46	68	69	70	71	66	57	76
H	43	54	68	71	73	68	63	58	77



Soler&Palau
Ventilation Group